

• SYSTEMA INOX[®] •

by *ind.i.a.*

- Supporti per Vetro
- Glass Clamps

Per un'architettura trasparente,
moderna ma sempre attuale.
La migliore soluzione sono i
supporti vetro ARTEFERRO INOX[®]

For a clear, modern but always
topical Architecture, the
ARTEFERRO INOX[®] supports for
glasses are the best solution

67

NUOVI PRODOTTI
NEW PRODUCTS

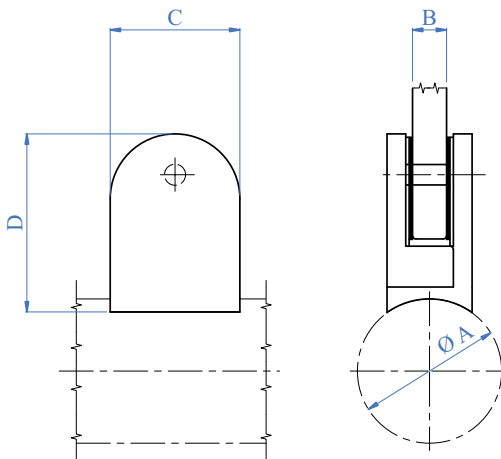


Supporti per Vetro in Acciaio Inox Satinato - Stainless Steel Glass Clamps Satin Finish

Con spina di sicurezza ed inserti in gomma
With locking pin and protective plastic washers



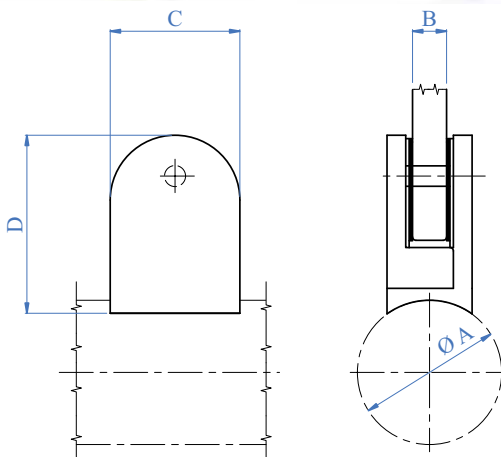
AISI 316	Cod. art. Art. no.	Dimensioni Dimensions	C x D	Per tubo For tube	A	Spessore vetro Glass thk.	B
	E00913	38 x 53 mm 1 1/2" x 2 3/64"		Ø 33,7 mm 1 1/3" dia.		8 e 10 mm 5/16" and 3/8"	
	E00912	38 x 53 mm 1 1/2" x 2 3/64"		Ø 42,4 mm 1 2/3" dia.		8 e 10 mm 5/16" and 3/8"	
	E00911	38 x 49 mm 1 1/2" x 1 15/16"		Superficie piana Flat face		8 e 10 mm 5/16" and 3/8"	



Con spina di sicurezza ed inserti in gomma
With locking pin and protective plastic washers



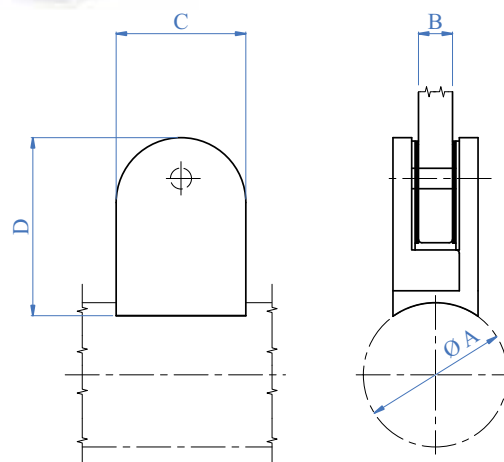
AISI 316	Cod. art. Art. no.	Dimensioni Dimensions	C x D	Per tubo For tube	A	Spessore vetro Glass thk.	B
	E009	43 x 64 mm 1 11/16" x 2 33/64"		Ø 42,4 mm 1 2/3" dia.		8 e 10 mm 5/16" and 3/8"	
	E0090	43 x 64 mm 1 11/16" x 2 33/64"		Ø 48,3 mm 1 7/8" dia.		8 e 10 mm 5/16" and 3/8"	
	E0091	43 x 60 mm 1 11/16" x 2 3/8"		Superficie piana Flat face		8 e 10 mm 5/16" and 3/8"	
	E00960	43 x 64 mm 1 11/16" x 2 33/64"		Ø 42,4 mm 1 2/3" dia.		10 e 12 mm 3/8" and 1/2"	
	E00961	43 x 64 mm 1 11/16" x 2 33/64"		Ø 48,3 mm 1 7/8" dia.		10 e 12 mm 3/8" and 1/2"	
	E00962	43 x 60 mm 1 11/16" x 2 3/8"		Superficie piana Flat face		10 e 12 mm 3/8" and 1/2"	



Supporti per Vetro in Acciaio Inox Satinato - Stainless Steel Glass Clamps Satin Finish

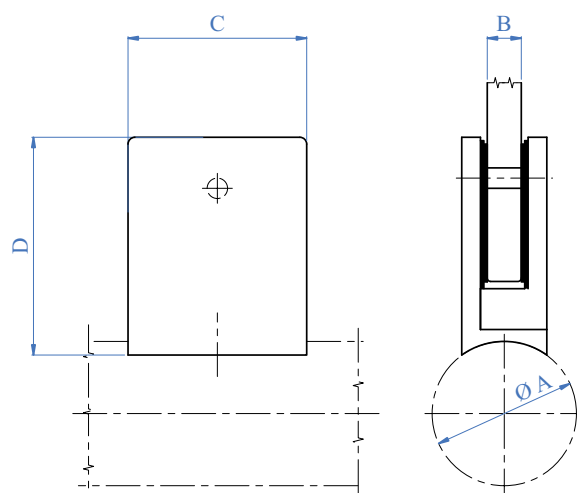
Con spina di sicurezza ed inserti in gomma
With locking pin and protective plastic washers

AISI 316	Cod. art. Art. no.	Dimensioni Dimensions	C x D	Per tubo For tube	A	Spessore vetro Glass thk.	B
	E00970	53 x 68 mm 2 5/64" x 2 5/8"		Ø 33,7 mm 1 1/3" dia.		12,76 mm 1/2"	
	E00971	53 x 68 mm 2 5/64" x 2 5/8"		Ø 42,4 mm 1 2/3" dia.		12,76 mm 1/2"	
	E00972	53 x 64 mm 2 5/64" x 2 33/64"		Ø 48,3 mm 1 7/8" dia.		12,76 mm 1/2"	
	E00973	53 x 60 mm 2 5/64" x 2 3/8"		Superficie piana Flat face		12,76 mm 1/2"	



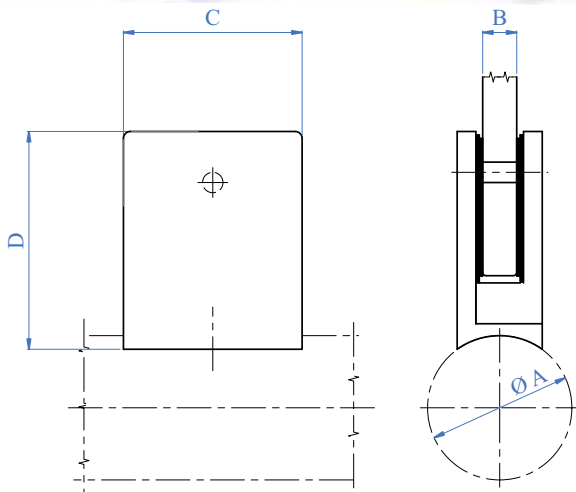
Con spina di sicurezza ed inserti in gomma
With locking pin and protective plastic washers

AISI 316	Cod. art. Art. no.	Dimensioni Dimensions	C x D	Per tubo For tube	A	Spessore vetro Glass thk.	B
	E00941	43 x 48 mm 1 11/16" x 1 7/8"		Ø 33,7 mm 1 1/3" dia.		8 e 10 mm 5/16" and 3/8"	
	E00921	43 x 48 mm 1 11/16" x 1 7/8"		Ø 42,4 mm 1 2/3" dia.		8 e 10 mm 5/16" and 3/8"	
	E00931	43 x 43 mm 1 11/16" x 1 11/16"		Superficie piana Flat face		8 e 10 mm 5/16" and 3/8"	



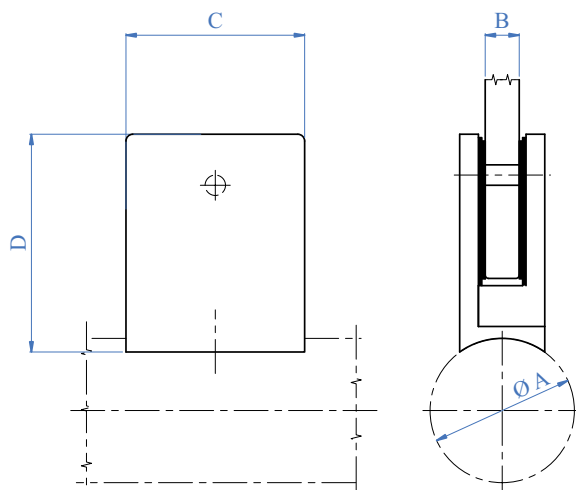
Supporti per Vetro in Acciaio Inox Satinato - Stainless Steel Glass Clamps Satin Finish

Con spina di sicurezza ed inserti in gomma
With locking pin and protective plastic washers



AISI 316	Cod. art. Art. no.	Dimensioni Dimensions	C x D	Per tubo For tube	A	Spessore vetro Glass thk.	B
	E0092	53 x 58 mm 2 3/64" x 2 9/32"		Ø 42,4 mm 1 2/3" dia.		8 e 10 mm 5/16" and 3/8"	
	E0093	53 x 53 mm 2 3/64" x 2 3/64"		Superficie piana Flat face		8 e 10 mm 5/16" and 3/8"	

Con spina di sicurezza ed inserti in gomma
With locking pin and protective plastic washers



AISI 316	Cod. art. Art. no.	Dimensioni Dimensions	C x D	Per tubo For tube	A	Spessore vetro Glass thk.	B
	E00980	53 x 60 mm 2 3/64" x 2 3/8"		Ø 33,7 mm 1 1/3" dia.		10 e 12 mm 3/8" and 1/2"	
	E00981	53 x 60 mm 2 3/64" x 2 3/8"		Ø 42,4 mm 1 2/3" dia.		10 e 12 mm 3/8" and 1/2"	
	E00982	53 x 60 mm 2 3/64" x 2 3/8"		Ø 48,3 mm 1 7/8" dia.		10 e 12 mm 3/8" and 1/2"	
	E00983	53 x 53 mm 2 3/64" x 2 3/64"		Superficie piana Flat face		10 e 12 mm 3/8" and 1/2"	



ARTEFERRO



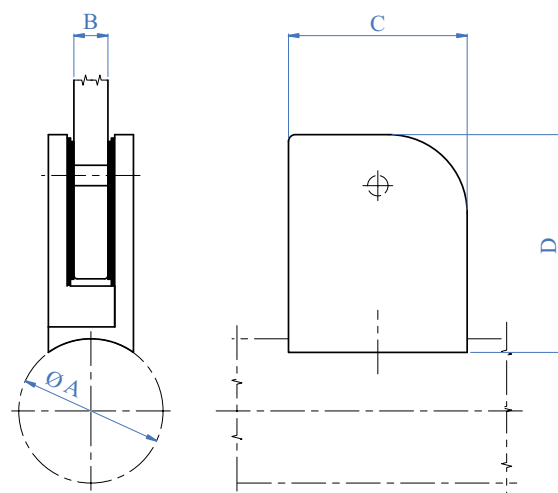
ARTEFERRO



Supporti per Vetro in Acciaio Inox Satinato - Stainless Steel Glass Clamps Satin Finish

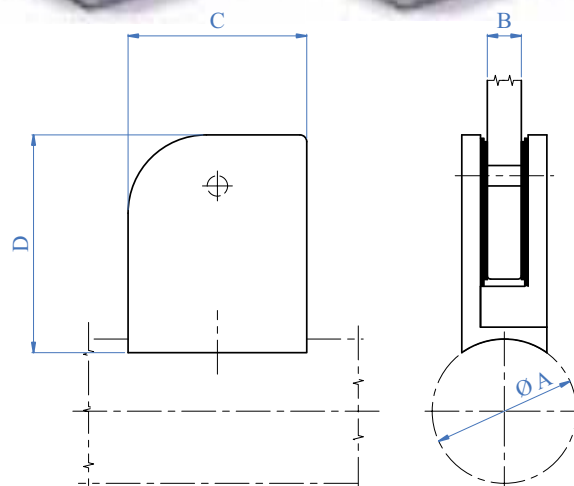
Con spina di sicurezza ed inserti in gomma. Sinistro
With locking pin and protective plastic washers. Left

AISI 316	Cod. art. Art. no.	Dimensioni Dimensions C x D	Per tubo For tube A	Spessore vetro Glass thk. B
	E00950	52 x 64 mm 2 3/4" x 2 33/64"	Ø 42,4 mm sx 1 2/3" dia.	8 e 10 mm 5/16" and 3/8"
	E00951	52 x 64 mm 2 3/4" x 2 33/64"	Ø 48,3 mm sx 1 7/8" dia.	8 e 10 mm 5/16" and 3/8"
	E00952	52 x 60 mm 2 3/4" x 2 3/8"	Superficie piana sx Flat face left	8 e 10 mm 5/16" and 3/8"



Con spina di sicurezza ed inserti in gomma. Destro
With locking pin and protective plastic washers. Right

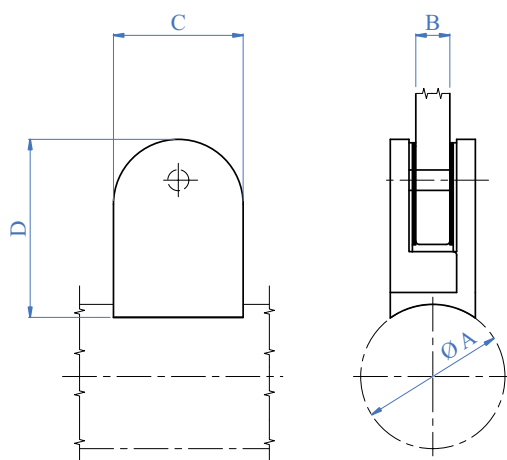
AISI 316	Cod. art. Art. no.	Dimensioni Dimensions C x D	Per tubo For tube A	Spessore vetro Glass thk. B
	E00955	52 x 64 mm 2 3/4" x 2 33/64"	Ø 42,4 mm dx 1 2/3" dia.	8 e 10 mm 5/16" and 3/8"
	E00956	52 x 64 mm 2 3/4" x 2 33/64"	Ø 48,3 mm dx 1 7/8" dia.	8 e 10 mm 5/16" and 3/8"
	E00957	52 x 60 mm 2 3/4" x 2 3/8"	Superficie piana dx Flat face right	8 e 10 mm 5/16" and 3/8"



Supporti per Vetro in Pressofusione di zinco - Zinc Diecast Glass Clamps

Con spina di sicurezza ed inserti in gomma. EFFETTO INOX

With locking pin and protective plastic washers. STAINLESS STEEL EFFECT



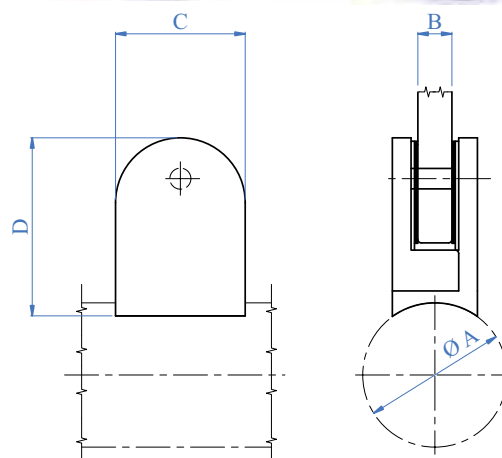
ZAMAC	Cod. art. Art. no.	Dimensioni Dimensions	C x D	Per tubo For tube	A	Spessore vetro Glass thk.	B
	E00851	38 x 52 mm 1 1/2" x 2 3/64"		Ø 33,7 mm 1 1/3" dia.		6 e 8 mm 1/4" and 5/16"	
	E00850	38 x 52 mm 1 1/2" x 2 3/64"		Ø 42,4 mm 1 2/3" dia.		6 e 8 mm 1/4" and 5/16"	
	E00852	38 x 49 mm 1 1/2" x 1 15/16"		Superficie piana Flat face		6 e 8 mm 1/4" and 5/16"	



Supporti per Vetro in Pressofusione di zinco - Zinc Diecast Glass Clamps

Con spina di sicurezza ed inserti in gomma. EFFETTO INOX
With locking pin and protective plastic washers. STAINLESS STEEL EFFECT

ZAMAC	Cod. art. Art. no.	Dimensioni Dimensions C x D	Per tubo For tube A	Spessore vetro Glass thk. B
	E00872	43 x 66 mm 1 11/16" x 2 5/8"	Ø 33,7 mm 1 1/3" dia.	8 e 10 mm 5/16" and 3/8"
	E00871	43 x 66 mm 1 11/16" x 2 5/8"	Ø 42,4 mm 1 2/3" dia.	8 e 10 mm 5/16" and 3/8"
	E00870	43 x 62 mm 1 11/16" x 7 7/16"	Superficie piana Flat face	8 e 10 mm 5/16" and 3/8"





ARTEFERRO



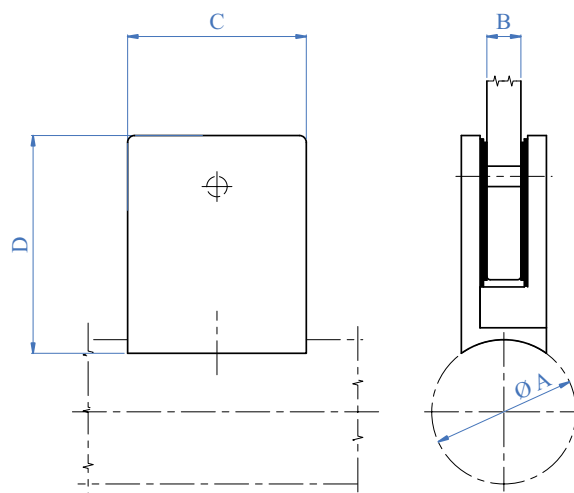
10

ARTEFERRO

Supporti per vetro in pressofusione di zinco - Zinc Diecast Glass Clamps

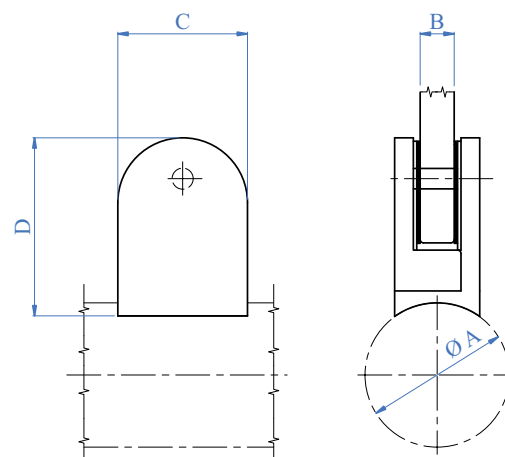
Con spina di sicurezza ed inserti in gomma. EFFETTO INOX
With locking pin and protective plastic washers. STAINLESS STEEL EFFECT

ZAMAC	Cod. art. Art. no.	Dimensioni Dimensions C x D	Per tubo For tube A	Spessore vetro Glass thk. B
	E00860	53 x 58 mm 2 3/4" x 2 9/32"	Ø 33,7 mm 1 1/3" dia.	8 e 10 mm 5/16" and 3/8"
	E00861	53 x 58 mm 2 3/4" x 2 9/32"	Ø 42,4 mm 1 2/3" dia.	8 e 10 mm 5/16" and 3/8"
	E00862	53 x 53 mm 2 3/4" x 2 3/4"	Superficie piana Flat face	8 e 10 mm 5/16" and 3/8"



Con spina di sicurezza ed inserti in gomma. CROMATO SATINATO
With locking pin and protective plastic washers. SATIN CHROME

ZAMAC	Cod. art. Art. no.	Dimensioni Dimensions C x D	Per tubo For tube A	Spessore vetro Glass thk. B
	E00750	38 x 52 mm 1 1/2" x 2 3/64"	Ø 33,7 mm 1 1/3" dia.	6 e 8 mm 1/4" and 5/16"
	E00751	38 x 52 mm 1 1/2" x 2 3/64"	Ø 42,4 mm 1 2/3" dia.	6 e 8 mm 1/4" and 5/16"
	E00752	38 x 49 mm 1 1/2" x 1 15/16"	Superficie piana Flat face	6 e 8 mm 1/4" and 5/16"

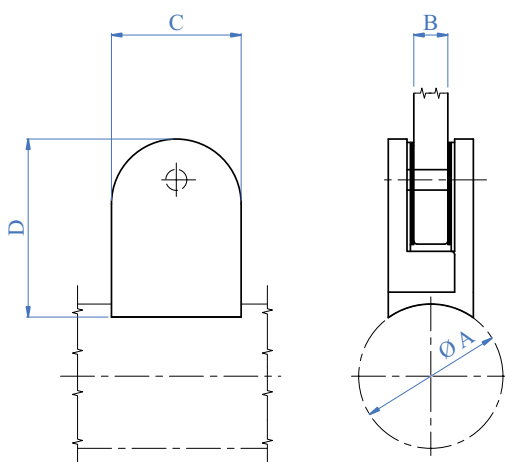


Supporti per Vetro in Pressofusione di Zinco - Zinc Diecast Glass Clamps

Con spina di sicurezza ed inserti in gomma. CROMATO LUCIDO
 With locking pin and protective plastic washers. POLISHED CHROME



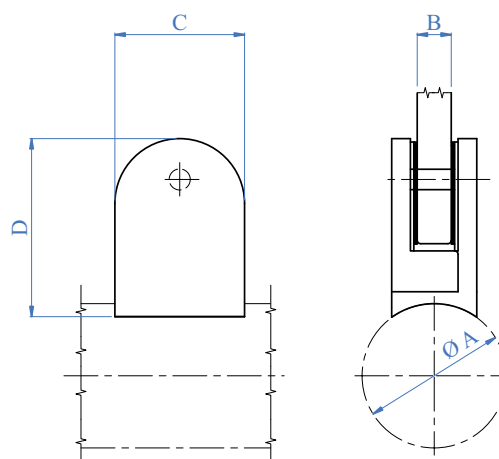
ZAMAC	Cod. art. Art. no.	Dimensioni Dimensions	C x D	Per tubo For tube	A	Spessore vetro Glass thk.	B
	E00737	38 x 52 mm 1 1/2" x 2 3/64"		Ø 33,7 mm 1 1/3" dia.		6 e 8 mm 1/4" and 5/16"	
	E00736	38 x 52 mm 1 1/2" x 2 3/64"		Ø 42,4 mm 1 2/3" dia.		6 e 8 mm 1/4" and 5/16"	
	E00738	38 x 49 mm 1 1/2" x 1 15/16"		Superficie piana Flat face		6 e 8 mm 1/4" and 5/16"	



Supporti per Vetro Dorati - Glass Clamp in Gold Plate

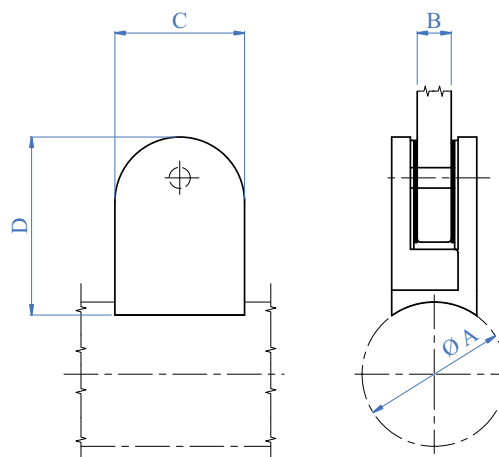
Con spina di sicurezza ed inserti in gomma. EFFETTO DORATO
With locking pin and protective plastic washers. GOLD PLATED

ZAMAC	Cod. art. Art. no.	Dimensioni Dimensions	C x D	Per tubo For tube	A	Spessore vetro Glass thk.	B
	E00732	38 x 52 mm 1 1/2" x 2 3/64"		Ø 33,7 mm 1 1/3" dia.		8 e 10 mm 5/16" and 3/8"	
	E00731	38 x 52 mm 1 1/2" x 2 3/64"		Ø 42,4 mm 1 2/3" dia.		8 e 10 mm 5/16" and 3/8"	
	E00733	38 x 49 mm 1 1/2" x 1 15/16"		Superficie piana Flat face		8 e 10 mm 5/16" and 3/8"	



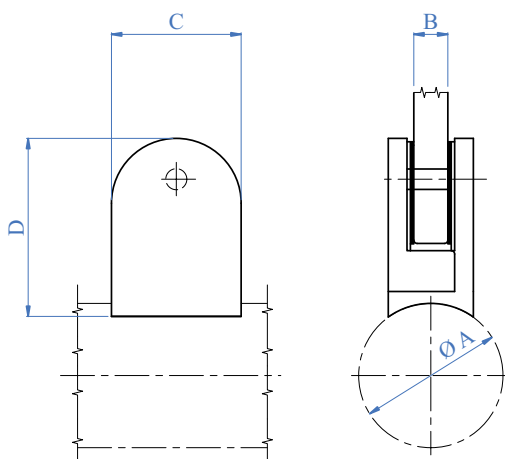
Con spina di sicurezza ed inserti in gomma. EFFETTO DORATO
With locking pin and protective plastic washers. GOLD PLATED

ZAMAC	Cod. art. Art. no.	Dimensioni Dimensions	C x D	Per tubo For tube	A	Spessore vetro Glass thk.	B
	E00730	43 x 64 mm 1 11/16" x 2 33/64"		Ø 42,4 mm 1 2/3" dia.		8 e 10 mm 5/16" and 3/8"	



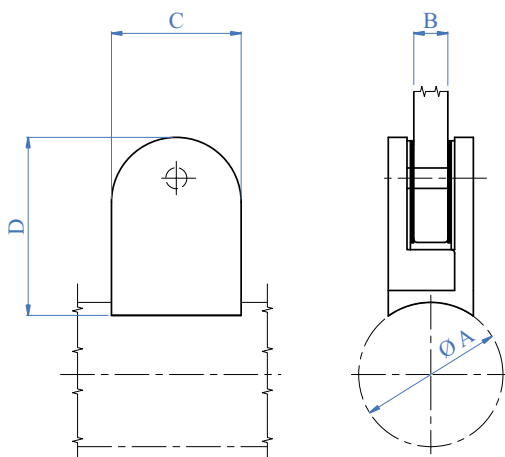
Supporti per Vetro in Pressofusione di Zinco - Zinc Diecast Glass Clamps

Con spina di sicurezza ed inserti in gomma. GREZZO
With locking pin and protective plastic washers. RAW FINISH



ZAMAC	Cod. art. Art. no.	Dimensioni Dimensions	C x D	Per tubo For tube	A	Spessore vetro Glass thk.	B
	E00742	38 x 52 mm 1 1/2" x 2 3/64"		Ø 33,7 mm 1 1/3" dia.		6 e 8 mm 1/4" and 5/16"	
	E00741	38 x 52 mm 1 1/2" x 2 3/64"		Ø 42,4 mm 1 2/3" dia.		6 e 8 mm 1/4" and 5/16"	
	E00743	38 x 49 mm 1 1/2" x 1 15/16"		Superficie piana Flat face		6 e 8 mm 1/4" and 5/16"	

Con spina di sicurezza ed inserti in gomma. GREZZO
With locking pin and protective plastic washers. RAW FINISH

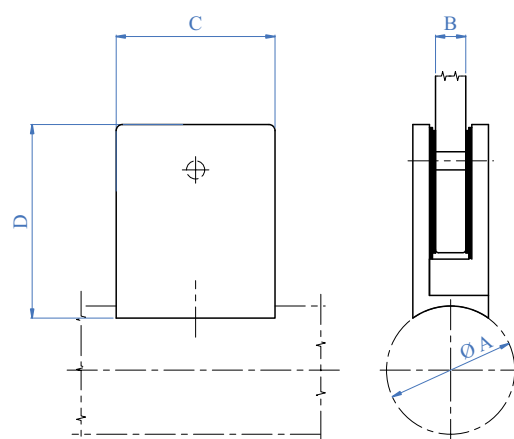


ZAMAC	Cod. art. Art. no.	Dimensioni Dimensions	C x D	Per tubo For tube	A	Spessore vetro Glass thk.	B
	E007401	43 x 66 mm 1 11/16" x 2 5/8"		Ø 42,4 mm 1 2/3" dia.		8 e 10 mm 5/16" and 3/8"	
	E007402	43 x 66 mm 1 11/16" x 2 5/8"		Ø 48,3 mm 1 7/8" dia.		8 e 10 mm 5/16" and 3/8"	
	E00740	43 x 62 mm 1 11/16" x 2 7/16"		Superficie piana Flat face		8 e 10 mm 5/16" and 3/8"	

Supporti per Vetro in Pressofusione di Zinco - Zinc Diecast Glass Clamps

Con spina di sicurezza ed inserti in gomma. GREZZO
With locking pin and protective plastic washers. RAW FINISH

ZAMAC	Cod. art. Art. no.	Dimensioni Dimensions	C x D	Per tubo For tube	A	Spessore vetro Glass thk.	B
	E00760	53 x 58 mm 2 3/64" x 2 9/32"		Ø 42,4 mm 1 2/3" dia.		8 e 10 mm 5/16" and 3/8"	
	E00761	53 x 58 mm 2 3/64" x 2 9/32"		Ø 48,3 mm 1 7/8" dia.		8 e 10 mm 5/16" and 3/8"	
	E00762	53 x 53 mm 2 3/64" x 2 3/64"		Superficie piana Flat face		8 e 10 mm 5/16" and 3/8"	

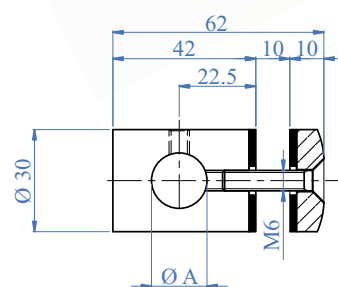


Supporti per Vetro - Glass Clamps

Completo di dischi di protezione in PVC
Complete with plastic washers in PVC

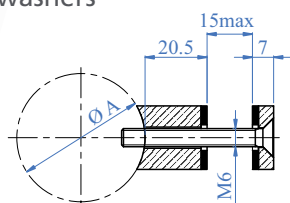
AISI 304	Cod. art. Art. no.	Foro Hole
	E4032/304	Ø 12,2 mm 1/2" dia.
	E4031/304	Ø 14,2 mm 9/16" dia.
	E4030/304	Ø 16,2 mm 41/64" dia.

AISI 316	Cod. art. Art. no.	Foro Hole
	E4032	Ø 12,2 mm 1/2" dia.
	E4031	Ø 14,2 mm 9/16" dia.
	E4030	Ø 16,2 mm 41/64" dia.



Supporti per vetro - Glass Clamps

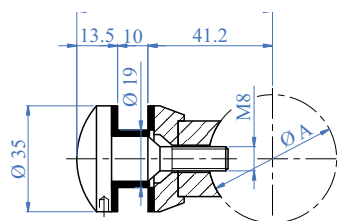
2 pezzi completi di vite e guarnizioni
2 pieces with screw and plastic washers



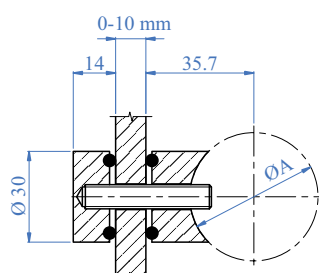
AISI 303	Cod. art. Art. no.	Per tubo For tube A
	E40550304	Ø 33,7 mm 1 1/3" dia.
	E40560304	Ø 42,4 mm 1 2/3" dia.
	E40570304	Superficie piana Flat face

AISI 316	Cod. art. Art. no.	Per tubo For tube A
	E40550	Ø 33,7 mm 1 1/3" dia.
	E40560	Ø 42,4 mm 1 2/3" dia.
	E40570	Superficie piana Flat face

Satinati, con gomme di protezione
Satin finish, with protective rubber bands



AISI 316	Cod. art. Art. no.	Per tubo For tube A
	E40000/SO	Ø 42,4 mm 1 2/3" dia.



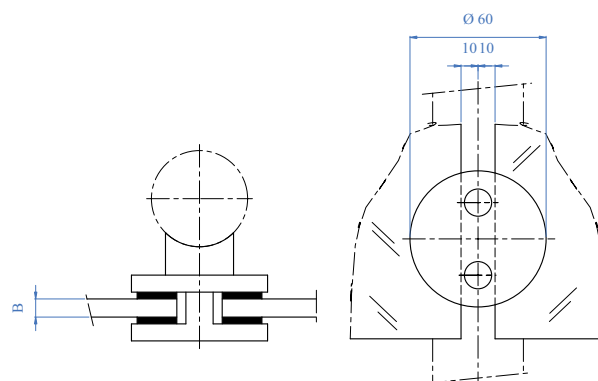
AISI 316	Cod. art. Art. no.	Per tubo For tube A
	E40581	Ø 42,4 mm 1 2/3" dia.
	E40583	Superficie piana Flat face

Supporto Circolare per 2 Vetri - Round Clamps for 2 Pieces of Glass

NEW

AISI 304	Cod. art.	Dimensioni	Per tubo	Spessore vetro
	Art. no.	Dimensions	For tube	Glass thk. ^B
E00820	Ø 60 mm 2 3/8" dia.	Ø 42,4 mm 1 2/3" dia.	8 mm 5/16"	
E00821	Ø 60 mm 2 3/8" dia.	Superficie piana Flat bar	8 mm 5/16"	

AISI 316	Cod. art.	Dimensioni	Per tubo	Spessore vetro
	Art. no.	Dimensions	For tube	Glass thk. ^B
E00820316	Ø 60 mm 2 3/8" dia.	Ø 42,4 mm 1 2/3" dia.	8 mm 5/16"	
E00821316	Ø 60 mm 2 3/8" dia.	Superficie piana Flat face	8 mm 5/16"	

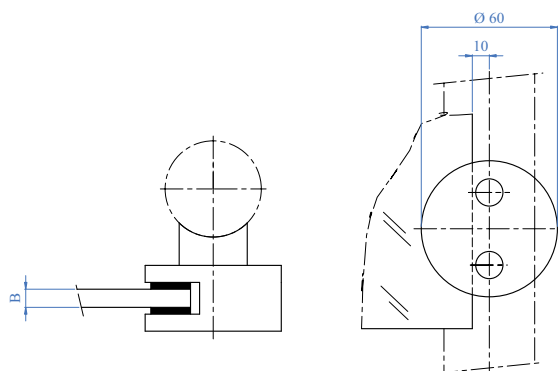


Supporto Circolare per un Vetro - Round Clamps for 1 Piece of Glass

NEW

AISI 304	Cod. art.	Dimensioni	Per tubo	Spessore vetro
	Art. no.	Dimensions	For tube	Glass thk. ^B
E00830	Ø 60 mm 2 3/8" dia.	Ø 42,4 mm 1 2/3" dia.	8 mm 5/16"	
E00831	Ø 60 mm 2 3/8" dia.	Superficie piana Flat face	8 mm 5/16"	

AISI 316	Cod. art.	Dimensioni	Per tubo	Spessore vetro
	Art. no.	Dimensions	For tube	Glass thk. ^B
E00830316	Ø 60 mm 2 3/8" dia.	Ø 42,4 mm 1 2/3" dia.	8 mm 5/16"	
E00831316	Ø 60 mm 2 3/8" dia.	Superficie piana Flat face	8 mm 5/16"	





BREVETTATA - PATENTED

NEW

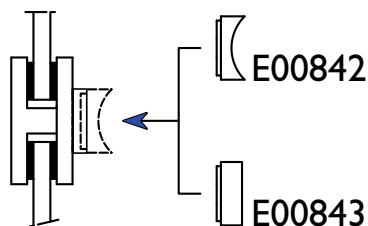


**1 PINZA VETRO:
8 SOLUZIONI DIVERSE
1 GLASS CLAMP
8 WAYS TO USE IT**

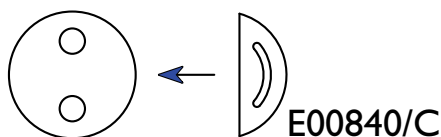
DA VINCI CLAMP SYSTEM



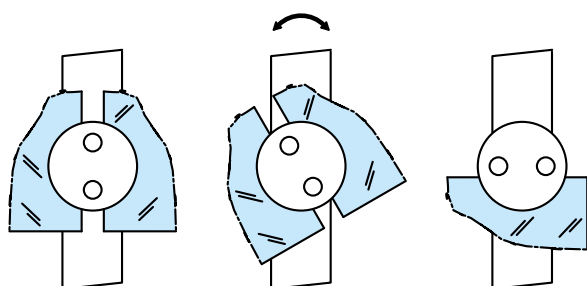
**PERCHÈ È INNOVATIVA?
WHY IS IT INNOVATIVE?**



**L'ANCORAGGIO INTERCAMBIABILE PERMETTE
DI ADATTARLO A QUALSIASI TUBO!
THE INTERCHANGEABLE CLAMP CAN BE USED
WITH ALMOST ANY TUBE!**



**LA CHIUSURA LATERALE TI PERMETTE
DI TRASFORMARLO IN UN SUPPORTO
DA VETRO SINGOLO
LATERAL LOCKING PERMITS TRANSFORM
TO A SINGLE GLASS SUPPORT**



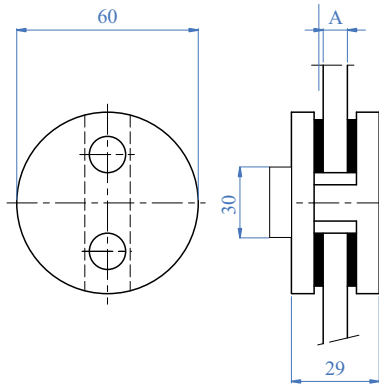
**L'ANCORAGGIO MOBILE TI PERMETTE DI
RUOTARE I VETRI RISPETTO AL MONTANTE
THE MOVABLE CLAMP PERMITS ROTATION
OF THE GLASS A ROUND MOUNTED POST**

- FACILE DA INSTALLARE • ECONOMICO • SICURO
- EASY TO INSTALL • ECONOMICAL • SAFE



Supporto Circolare - Round Clamps

AISI 316	Cod. art. Art. no.	Dimensioni Dimensions	Spessore vetro Glass thk.	A
	E00840	Ø 60 mm 2 3/8" dia.	8 mm 5/16"	

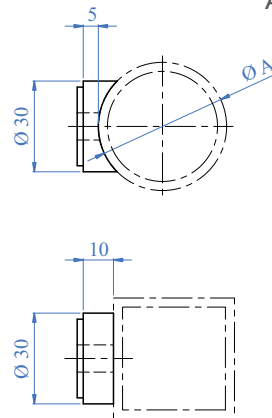


NEW

Adattatore per Supporto Circolare - Adapter for Round Clamps

Adattatore da inserire sul supporto circolare
Adapter to be inserted on round clamp

AISI 316	Cod. art. Art. no.	Dimensioni Dimensions	Per tubo For tube	A
	E00841		Ø 33,7 mm 1 1/3" dia.	
	E00842		Ø 42,4 mm 1 2/3" dia.	
	E00844		Ø 48,3 mm 1 7/8" dia.	
	E00843		Superficie piana Flat face	



NEW



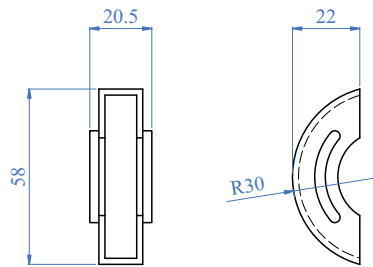
SIAMO IN GRADO DI PRODURRE
ADATTATORI PER QUALSIASI SUPERFICIE.

WE ARE ABLE TO PRODUCE ADAPTERS FOR
EVERY SURFACE.

Chiusura per Supporti Circolari - Stainless Steel Closure for Round Clamps

Chiusura in acciaio inox satinato per creare un supporto circolare con un vetro
Stainless steel closure satin finished, fundamental to obtain a glass holder for just one glass

AISI 316	Cod. art. Art. no.
	E00840/C



NEW

Gomma per Supporti Vetro Circolari - Rubber for Round Glass Clamps

Da utilizzare con articoli: To use with these article numbers: E00820 - E00821 - E00820316 - E00821316 - E00830 - E00831 E00830316 - E00831316 - E00840

Rubber	Cod. art. Art. no.	N per pezzi per set No. of pieces in set	Per Vetro Glass
	E00840/R1	2	8,76 mm 11/32"
	E00840/R2	2	10 mm 3/8"
	E00840/R3	2	10,76 mm 7/16"
	E00840/R4	2	12 mm 1/2"
	E00840/R5	2	12,76 mm 1/2"



NEW



BREVETTATA - PATENTED

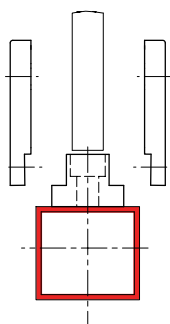
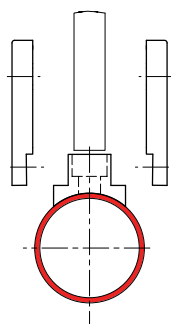
NEW

SISTEMA MODULARE
DI FISSAGGIO VETRI
MODULAR GLASS
FIXING SYSTEM

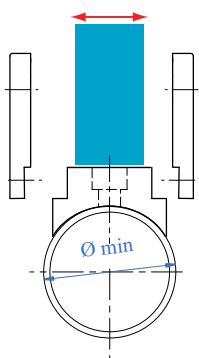
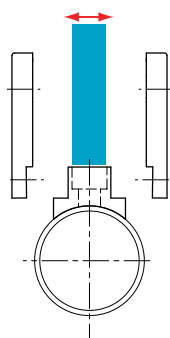
THE GLASS
SYSTEM



PERCHÈ È INNOVATIVA?
WHY IS IT INNOVATIVE?



L'ANCORAGGIO INTERCAMBIABILE PERMETTE
DI ADATTARLO A QUALSIASI TUBO.
THE INTERCHANGEABLE CLAMP CAN BE USED
WITH ALMOST ANY TUBE!



A SECONDA DELLO SPESSORE DELL'ANCORAGGIO
INTERCAMBIABILE SI PUO' VARIARE LO SPESSORE
DEL VETRO DA MONTARE
THE THICKNESS OF THE GLASS THAT MUST BE
ASSEMBLED CAN BE CHANGED
ACCORDING TO THE THICKNESS OF THE
INTERCHANGEABLE ANCHORAGE

POCHI ACCESSORI MOLTISSIME SOLUZIONI
A FEW ACCESSORIES, A LOT OF SOLUTIONS

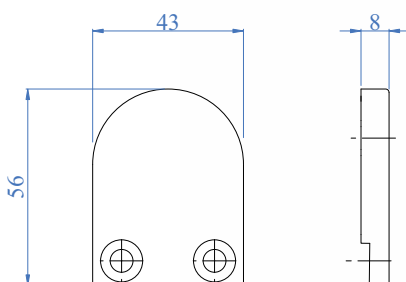
- FACILE DA INSTALLARE • ECONOMICO • SICURO
- EASY TO INSTALL • ECONOMICAL • SAFE

Piastre laterali di fissaggio - Side fixing plates

NEW

AISI 304	Cod. art.	Spessore vetro
	Art. no.	Glass thk.
	E0099100	variabile adjustable

AISI 316	Cod. art.	Spessore vetro
	Art. no.	Glass thk.
	E0099	variabile adjustable



2 piastre laterali di fissaggio
1 set gommini vetro monostrato
1 set gommini vetro bi-strato
4 viti M 6

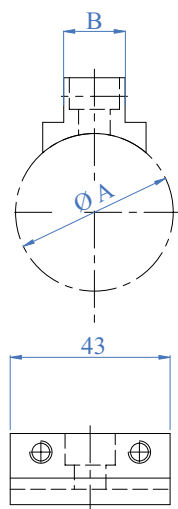
2 side fixing plates
1 set of one-layer rubbers for glass
1 set of two-layer rubbers for glass
4 M6 screws

Adattatori - Adapters

Adattatori da combinare con le piastre laterali compresa spina di sicurezza in acciaio
Adapters to combine with side plates Stainless steel safety pin included

NEW

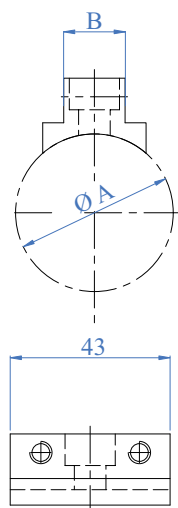
AISI 316	Cod. art. Art. no.	Spessore vetro Glass thk.	B	Per tubo For tube	A
	E99P8	8 - 8,76 mm	5/16" - 11/32"	Superficie piana	Flat face
	E993398	8 - 8,76 mm	5/16" - 11/32"	Ø 33,7 mm	1 1/3" dia.
	E994298	8 - 8,76 mm	5/16" - 11/32"	Ø 42,4 mm	1 2/3" dia.
	E995098	8 - 8,76 mm	5/16" - 11/32"	Ø 50,8 mm	2" dia.
	E99910	10 - 10,76 mm	3/8" - 7/16"	Superficie piana	Flat face
	E9933910	10 - 10,76 mm	3/8" - 7/16"	Ø 33,7 mm	1 1/3" dia.
	E9942910	10 - 10,76 mm	3/8" - 7/16"	Ø 42,4 mm	1 2/3" dia.
	E9950910	10 - 10,76 mm	3/8" - 7/16"	Ø 50,8 mm	2" dia.
	E99P12	12 - 12,76 mm	1/2"	Superficie piana	Flat face
	E9933P12	12 - 12,76 mm	1/2"	Ø 33,7 mm	1 1/3" dia.
	E9942P12	12 - 12,76 mm	1/2"	Ø 42,4 mm	1 2/3" dia.
	E9950P12	12 - 12,76 mm	1/2"	Ø 50,8 mm	2" dia.



Adattatori per vetri di sicurezza - Adapters for safety glasses

Adattatori da combinare con le piastre laterali compresa spina di sicurezza in acciaio
Adapters to combine with side plates Stainless steel safety pin included

AISI 316	Cod. art. Art. no.	Spessore vetro Glass thk.	B	Per tubo For tube	A
	E99P16	16,76 - 17,52	5/8" - 11/16"	Superficie piana	Flat face
	E9942P16	16,76 - 17,52	5/8" - 11/16"	Ø 42,4 mm	1 2/3" dia.
	E9950P16	16,76 - 17,52	5/8" - 11/16"	Ø 50,8 mm	2" dia.
	E99P20	20,76 - 21,52	13/16" - 7/8"	Superficie piana	Flat face
	E9942P20	20,76 - 21,52	13/16" - 7/8"	Ø 42,4 mm	1 2/3" dia.
	E9950P20	20,76 - 21,52	13/16" - 7/8"	Ø 50,8 mm	2" dia.



NEW

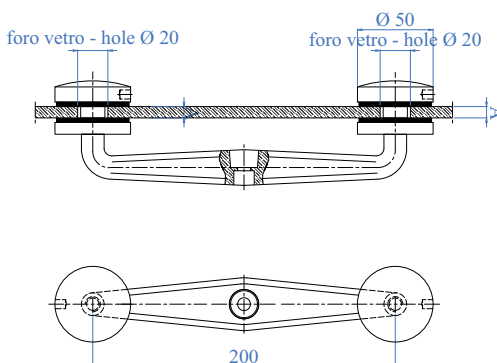


Spiders

3 pezzi : un braccio con foro e due supporti circolari per vetro
3 pieces: one arm with hole and two round clamps for glass

AISI 304	Cod. art.	Per vetro	A
	Art. no.	For glass	
	E00880	da 8,76 a 13,52 mm	
		from 11/32" to 1/2"	

AISI 316	Cod. art.	Per vetro	A
	Art. no.	For glass	
	E00880316	da 8,76 a 13,52 mm	
		from 11/32" to 1/2"	



NEW

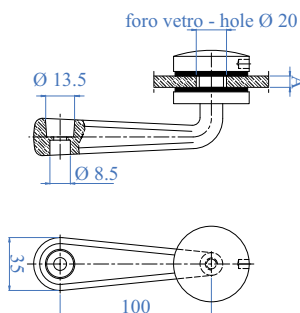
PER ANCORARLO UTILIZZARE:
E00882, E00883 AISI 304
E00882316, E00883316 AISI 316

TO ANCHOR THESE PRODUCTS USE
THESE ARTICLE NUMBERS:
E00882, E00883 AISI 304
E00882316, E00883316 AISI 316

2 pezzi: un braccio con foro e un supporto circolare per vetro
2 pieces: one arm with hole and one round clamp for glass

AISI 304	Cod. art.	Per vetro	A
	Art. no.	For glass	
	E00881	da 8,76 a 13,52 mm	
		from 11/32" to 1/2"	

AISI 316	Cod. art.	Per vetro	A
	Art. no.	For glass	
	E00881316	da 8,76 a 13,52 mm	
		from 11/32" to 1/2"	



NEW

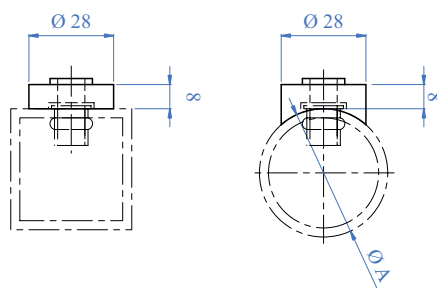
PER ANCORARLO UTILIZZARE:
E00882, E00883 AISI 304
E00882316, E00883316 AISI 316

TO ANCHOR THESE PRODUCTS USE
THESE ARTICLE NUMBERS:
E00882, E00883 AISI 304
E00882316, E00883316 AISI 316

Adattatori per Spider - Spider Adapters

AISI 304	Cod. art.	Per tubo	A
	Art. no.	For tube	
	E00882	Ø 42,4 mm	
		1 2/3" dia.	
	E00883	Superficie piana	
		Flat face	

AISI 316	Cod. art.	Per tubo	A
	Art. no.	For tube	
	E00882316	Ø 42,4 mm	
		1 2/3" dia.	
	E00883316	Superficie piana	
		Flat face	

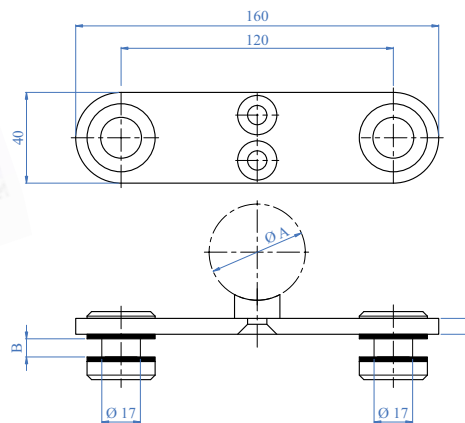


NEW

Spider per Tubo - Spider for Tubes

4 pezzi : un braccio, 2 supporti circolari per vetro e un adattatore per tubo
4 pieces: one arm, 2 round clamps for glass, and one tube adapter

NEW

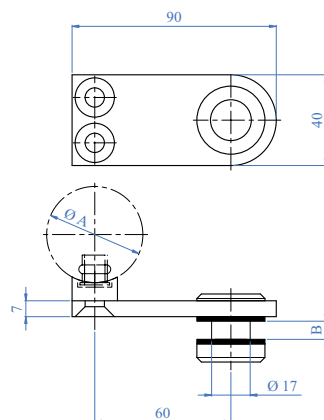


AISI 304	Cod. art. Art. no.	Per tubo For tube A	Spessore vetro Glass thk. B
E00891		Ø 33,7 mm 1 1/3" dia.	da 8,76 a 13,52 mm from 11/32" to 1/2"
E00892		Ø 42,4 mm 1 2/3" dia.	da 8,76 a 13,52 mm from 11/32" to 1/2"
E00893		Superficie piana Flat face	da 8,76 a 13,52 mm from 11/32" to 1/2"

AISI 316	Cod. art. Art. no.	Per tubo For tube A	Spessore vetro Glass thk. B
E00891316		Ø 33,7 mm 1 1/3" dia.	da 8,76 a 13,52 mm from 11/32" to 1/2"
E00892316		Ø 42,4 mm 1 2/3" dia.	da 8,76 a 13,52 mm from 11/32" to 1/2"
E00893316		Superficie piana Flat face	da 8,76 a 13,52 mm from 11/32" to 1/2"

3 pezzi : un braccio, 2 supporti circolari per vetro e un adattatore per tubo
3 pieces: one arm, 2 round clamps for glass, and one tube adapter

NEW



AISI 304	Cod. art. Art. no.	Per tubo For tube A	Spessore vetro Glass thk. B
E00895		Ø 33,7 mm 1 1/3" dia.	da 8,76 a 13,52 mm from 11/32" to 1/2"
E00896		Ø 42,4 mm 1 2/3" dia.	da 8,76 a 13,52 mm from 11/32" to 1/2"
E00897		Superficie piana Flat face	da 8,76 a 13,52 mm from 11/32" to 1/2"

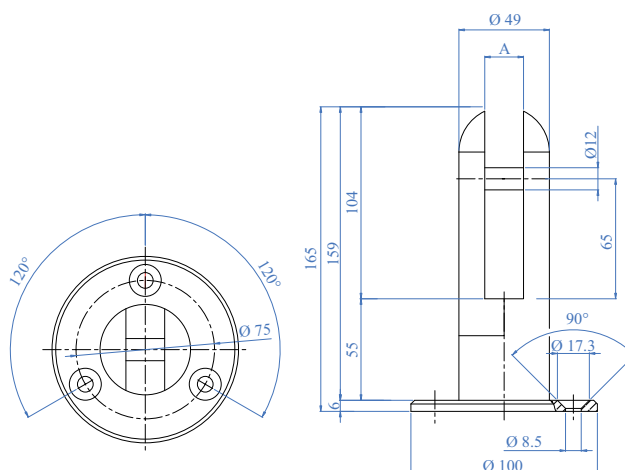
AISI 316	Cod. art. Art. no.	Per tubo For tube A	Spessore vetro Glass thk. B
E00895316		Ø 33,7 mm 1 1/3" dia.	da 8,76 a 13,52 mm from 11/32" to 1/2"
E00896316		Ø 42,4 mm 1 2/3" dia.	da 8,76 a 13,52 mm from 11/32" to 1/2"
E00897316		Superficie piana Flat face	8 e 10 mm 5/16" and 3/8"

Supporto per Vetro da Pavimento - Glass Clamp for Ground Anchorage

2 pezzi: piastra di ancoraggio Ø 100 mm con 3 fori svasati e supporto per vetro alto 159 mm
 2 pieces: anchor flange 3 15/16" dia. and 3 countersunk holes and glass clamp with 6 5/16" inches

AISI 303	Cod. art.	Spessore vetro	A
	Art. no.	Glass thk.	
	E2000100	12 e 17,52 mm	
		1/2" and 11/16"	

AISI 316	Cod. art.	Spessore vetro	A
	Art. no.	Glass thk.	
	E2000200	12 e 17,52 mm	
		1/2" and 11/16"	

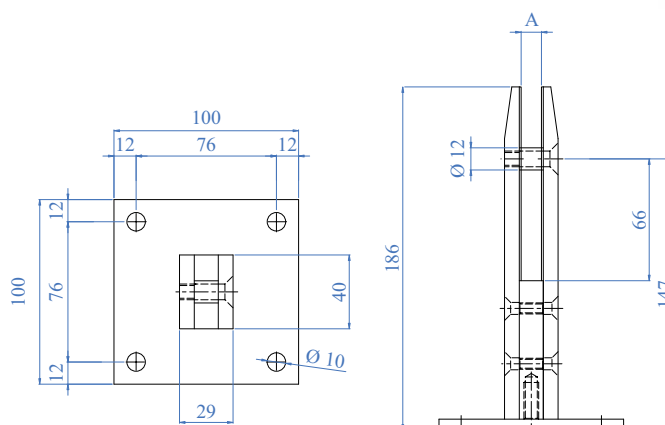


NEW

2 pezzi: piastra di ancoraggio quadrata 100 mm con 4 fori e supporto per vetro alto 186 mm
 2 pieces: square anchor flange 3 15/16" sq. with 4 holes and glass clamp with 7 9/32" inches

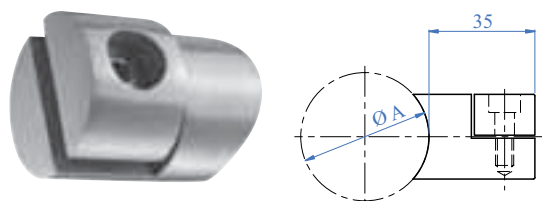
AISI 304	Cod. art.	Spessore vetro	A
	Art. no.	Glass thk.	
	E2100100	12 e 17,52 mm	
		1/2" and 11/16"	

AISI 316	Cod. art.	Spessore vetro	A
	Art. no.	Glass thk.	
	E2100200	12 e 17,52 mm	
		1/2" and 11/16"	



Supporti per Lamiera - Metal Sheet Holder

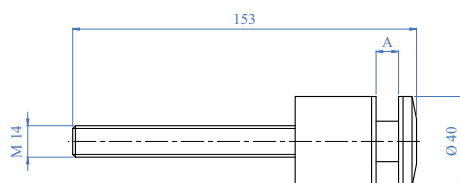
2 pezzi completo di vite, per lamiere da 1-2 mm
2 pieces with screw,s for sheet metal 5/128" - 5/64"



Supporti per Vetro da Parete - Wall Glass Clamps

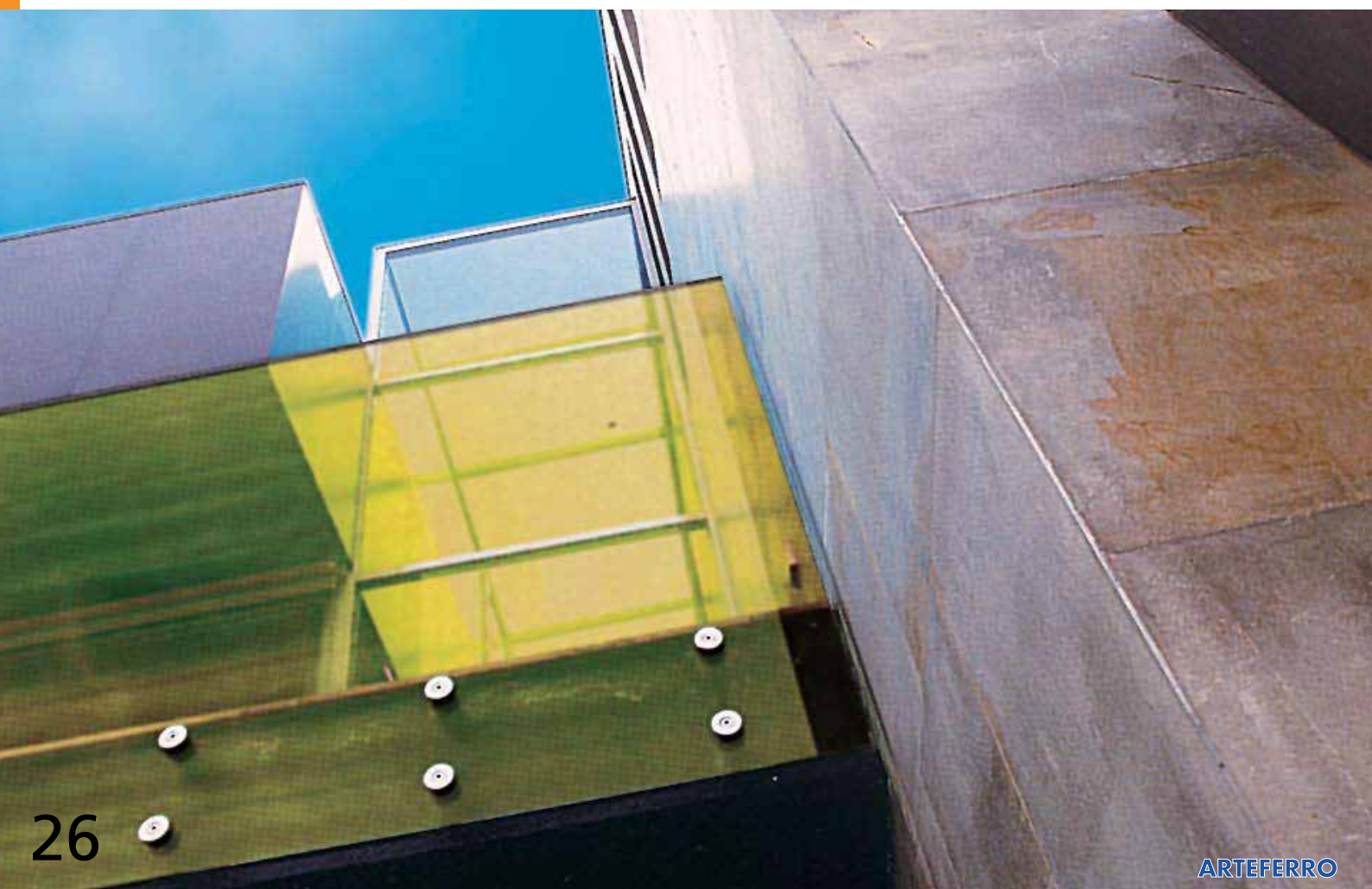
Supporto rotondo composto da vite filettata e attacco per vetro
Round support complete with threaded screw and glass attachment

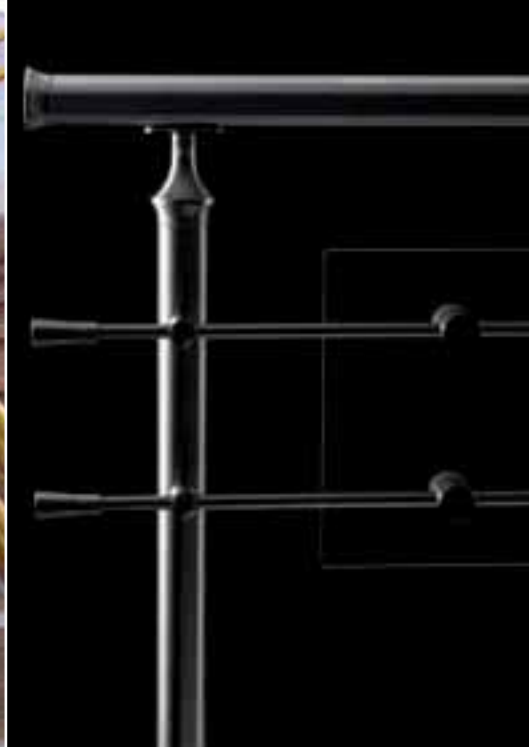
NEW



AISI 304	Cod. art. Art. no.	Per tubo For tube	A
	E00698	Ø 42,4 mm 1 2/3" dia.	
	E00699	Superficie piana Flat face	
AISI 316	Cod. art. Art. no.	Per tubo For tube	A
	E40500	Ø 33,7 mm 1 1/3" dia.	
	E40510	Ø 42,4 mm 1 2/3" dia.	
	E40520	Ø 48,3 mm 1 7/8" dia.	
	E40530	Ø 60,3 mm 1 3/8" dia.	
	E40540	Superficie piana Flat face	

AISI 304	Cod. art. Art. no.	Spessore vetro Glass thk.	A
	E2200100	da 8 a 12,76 mm from 5/16" to 1/2"	
	E2200300	da 16,76 a 21,52 mm from 5/8" to 7/8"	
AISI 316	Cod. art. Art. no.	Spessore vetro Glass thk.	A
	E2200200	da 8 a 12,76 mm from 5/16" to 1/2"	
	E2200400	da 16,76 a 21,52 mm from 5/8" to 7/8"	





ind.i.a.[®] S. P. A.

INDUSTRIA ITALIANA ARTEFERRO

VIA VICENZA, 6/14

36034 MALO (VICENZA) ITALIA

TELEFONO (+39) 0445 580 580

FAX (+39) 0445 580 874

E-mail:india@arteferro.com

www.ironews.com - www.ilgrandefabbro.com

www.arteferro.com

ARTEFERRO Miami LLC.

2955 N.W. 75th STREET
MIAMI, FLORIDA 33147 - USA
PHONE: (+1) (305) 836-9232 / 1-877-723-6743
FAX: (+1) (305) 836-4113
www.arteferromiami.com info@arteferromiami.com

U.S.A.

ARTEFERROSUD S.R.L.

Via Piana Alvanella 83024 MONTEFORTE IRPINO (AV)
Tel. (+39) 0825 68 00 81
Fax (+39) 0825 68 34 98
(Per Campania - Puglia - Calabria - Basilicata - Molise)
www.arteferrosud.it info@arteferrosud.it

ITALY

indital[®]

7947 MESA ROAD - HOUSTON
TEXAS 77028 - U.S.A.
PHONE: (+1) (713) 694-6065 / 1-800-772-4706
FAX: (+1) (713) 694-2055
www.indital.com - forgings@indital.com

U.S.A.

ind.i.a.

28500 ARGANDA DEL REY (MADRID) - ESPAÑA
C/. ABEDUL, 43 - Poligono "EL GUJAR"
TEL. (+34) (91) 8701897 - 8700819
FAX (+34) (91) 8700820
info@arteferro.es www.arteferro.es

ESPAÑA S.L.

ARTEFERRO Skandinavien AB

SWEDEN: SJÖTULLSG. 3 - S-602 28 NORRKÖPING
TEL. (+46) (0) 11182323 - FAX (+46) (0) 11182328
DENMARK: HESSELAGER 19 - DK-2605 BRØNDBY
TEL. +45 4362 2563 - FAX +45 4362 2535
www.arteferro.se - info@arteferro.se

SWEDEN - DENMARK

ARTEFERRO Dohomont d.o.o.

SIRKOVIŠE bb 40324 GORICAN - HRVATSKA
PHONE (+385) (0)40 601-222
Fax PHONE (+385) (0)40 601-600
www.arteferro-dohomont.hr
info@arteferro-dohomont.hr

HRVATSKA

Mobilforge S.A.

Targoviste - Romania Soseaua Gaesti, (sat Colanu)
Judetul Dambavita
Tel. 004 0751060204, (004)0745395590
Fax (004)0745731210
E-mail: info@mobilforge.com

ROMANIA

ООО "ARTEFERRO Russia"

603092 Nizhny Novgorod (Russia)
Moskovskoje shosse, 320 B
TEL (+7) (831) 296-19-99 FAX: (+7) (831) 279-28-63
www.arteferro.ru - www.arteferrossia.com
info@arteferrossia.com

RUSSIA

ARTEFERRO Ukraina

5, AVTOPARKOVA, 02660 Kiev - Ukraine
Tel.: (+38) (044) 4920331
Fax: (+38) (044) 4920332
E-mail: arteferroukraina@svitonline.com
www.arteferroukraina.com

UKRAINE

ind.i.a.

ul. Gierdziejewskiego 7
02-495 Warszawa POLAND
Tel +48 (22) 397-79-40
Fax +48 (22) 397-21-55
info@indiapoland.com - www.indiapoland.com

POLAND S.p.A.

ARTEFERRO Monterrey S.A. DE C.V.

Av. E. Martinez Lara # 117 Parque Industrial MILMEX
Carretera Sta. Rosa Km. 3 Apodaca,
Nuevo León C.P. 66637
Teléfono: (81) 1295-5094 / 1295-5095
Fax: (81) 1295-5097
info@arteferromonterrey.com
www.arteferromonterrey.com

MEXICO

ind.i.a.

RUA PADRE FEIJÓ, 480 CEP 95190-000
SÃO MARCOS / RS BRASIL
TEL. - FAX (+55) (0) 54 32911416
www.arteferrobrazil.com.br
arteferro@arteferrobrazil.com.br

BRASIL Ltda

ARTEFERRO Argentina S.A.

Suarez 760
(1162) Capital Federal Buenos Aires
Republica Argentina
TEL./Fax (+54) 11 43012637

ARGENTINA

ARTEFERRO Chile S.A.

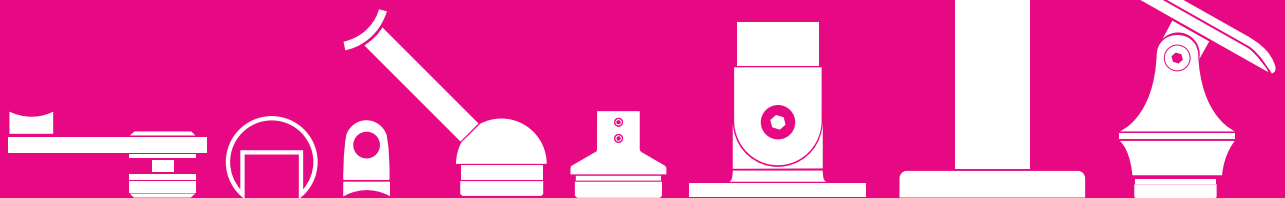
LOS ARRAYANES 250, COMUNA DE COLINA,
SANTIAGO DE CHILE

CHILE

ARTEFERRO BOTNIC INTERNATIONAL LTD

Block C/5 Lagos State small scale Industrial Estate,
Fatai Atere Way, Matori, Lagos
Tel. 00234 1 891 4155 - 00234 1 2799 093-4
www.arteferrobotnic.com
info@arteferrobotnic.com

NIGERIA



WWW.ARTEFERRO.COM